

COMBIVERT



GB Instruction Manual

Housing B

0.37...2.2kW 230 V

0.37...4.0kW 400 V

Original manual	
Mat.No.	Rev.
00F50EB-KB00	1C

KEB

Table of Contents

1.	Preface.....	5
1.1	Information on special measures.....	5
1.2	Documentation.....	5
1.3	Validity and liability	6
1.4	Copyright.....	6
1.5	Specified application.....	7
1.6	Product description.....	7
1.7	Unit identification	8
1.8	Installation instructions	9
1.8.1	Cooling systems	9
1.8.2	Control cabinet installation.....	10
1.9	Safety and application notes	11
2.	Technical Data	12
2.1	Operating conditions.....	12
2.2	Technical data of the 230V class.....	13
2.3	Technical data of the 400V class.....	14
2.4	DC supply.....	15
2.4.1	Calculation of the DC input current.....	15
2.4.2	Internal input circuit.....	15
2.5	Dimensions and weights.....	16
2.5.1	Dimensions mounted version (representation with optional mounting kit).....	16
2.5.2	Dimensions Flat Rear (representation with optional mounting kit)	17
2.5.3	Mounted version with/without operator.....	18
2.5.4	Flat Rear mit/ohne Operator	18
2.6	Terminal strips of the power circuit.....	19
2.6.1	Permissible cable cross-sections and tightening torques of the terminals	19
2.7	Accessories.....	20
2.7.1	Filter and chokes	20
2.8	Connection power unit.....	21
2.8.1	Mains and motor connection.....	21
2.8.1.1	Mains connection 1-phase.....	21
2.8.1.2	Mains connection 3-phase.....	22
2.8.1.3	DC connection	22
2.8.2	Selection of the motor cable	23
2.8.3	Connection of the motor	23
2.8.3.1	Motor cable length for parallel operation of motors	23
2.8.4	Temperature detection T1, T2.....	24
2.8.4.1	Use of the temperature input	24
2.8.5	Connection of a braking resistor.....	25
2.8.5.1	Braking resistor without temperature monitoring	25
2.8.5.2	Braking resistor with overheat protection.....	26

Table of Contents

A.	Annex A	27
A.1	Overload characteristic	27
A.2	Overload protection in the lower speed range	27
A.3	Calculation of the motor voltage	28
A.4	Shut down	28
A.4.1	Maintenance	28
A.4.2	Storage	28
A.4.3	Cooling circuit	29
A.4.4	Fault correction	29
A.4.5	Disposal	29
B.	Annex B	30
B.1	Certification	30
B.1.1	CE Marking.....	30
B.1.2	UL Marking.....	30
C.	Annex C	33
C.1	Changing the response threshold of the braking transistor	33

List of Figures

Figure 1:	Control cabinet installation	10
Figure 2:	Internal input circuit.....	15
Figure 3:	Dimensions mounted version.....	16
Figure 4:	Dimensions Flat Rear	17
Figure 5:	Mounted version with/without operator	18
Figure 6:	Flat Rear with/without operator	18
Figure 7:	Terminal strips of the power circuit.....	19
Figure 8:	Mains connection 1-phase	21
Figure 9:	Mains connection 3-phase	22
Figure 10:	DC connection	22
Figure 11:	Connection of the motor.....	23
Figure 12:	Use of the temperature input	24
Figure 13:	Braking resistor without temperature monitoring	25
Figure 14:	Braking resistor with overheat protection.....	26
Figure 15:	Overload characteristic	27
Figure 16:	Overload protection in the lower speed range	27
Figure 17:	Changing the response threshold of the braking transistor	33

List of Tables






Table 1:	Permissible cable cross-sections and tightening torques of the terminals.....	19
Table 2:	Filter and chokes.....	20
Table 3:	Temperature detection T1, T2.....	24
Table 4:	Maintenance	28

1. Preface

The described hard and software are developments of the KEB Automation KG. The enclosed documents correspond to conditions valid at printing. Misprint, mistakes and technical changes reserved.



1.1 Information on special measures

The used pictograms have following significance:


Danger	 Is used, when death or serious bodily injury may be the consequence of non-observance of the measure.
Warning	 Is used, when bodily injury and/or substantial property damage may be the consequence of non-observance of the measure.
Caution	 Is used, when property damage may be the consequence of non-observance of the measure.
Attention	 Is used, when noise sensitive or unrequested operation may be the consequence of non-observance of the measure.
Info	 Is used, when a better or simpler result can be the consequence of the measure.

For a special case the instructions can be supplemented by additional pictograms and text.

1.2 Documentation

Attention	 Documentation via www.keb.de
	Prior to performing any work on the unit, it is absolutely necessary to download and read the documentation, especially the safety precautions and instructions for use. Follow these steps to get the documentation.
Step 1	Read the material number (Mat.No.) from nameplate
Step 2	Input the material number at " www.keb.de => Service => Downloads" and click "search". Downloads <div style="background-color: #f0f0f0; padding: 10px; border: 1px solid #ccc;"> <p>Search for specific material numbers</p> <p>Please enter a complete (11-digit) material number.</p> <p>Search for: <input style="width: 150px;" type="text" value="XXXXXXXX-XXXX"/> <input style="width: 50px;" type="button" value="search"/></p> </div>

continued on the next page

Step 3	The entire documentation associated with the device will be displayed, including the instruction manuals in German and English. If available, other translations are also indicated. Make sure that the user understands the provided language.
	Should you be unable to read or understand the documentation, do not take any further steps. Please inform our support network for further assistance.

Non-observance of the safety instructions leads to the loss of any liability claims. The warnings and safety instructions in this manual work only supplementary. This list is not exhaustive.



1.3 Validity and liability

The use of our units in the target products is beyond of our control and therefore exclusively the responsibility of the machine manufacturer, system integrator or customer.

The information contained in the technical documentation, as well as any user-specific advice in spoken and written and through tests, are made to best of our knowledge and information about the application. However, they are considered for information only without responsibility. This also applies to any violation of industrial property rights of a third-party.

Selection of our units in view of their suitability for the intended use must be done generally by the user.

Tests can only be done by the machine manufacturer in combination with the application. They must be repeated, even if only parts of hardware, software or the unit adjustment are modified.

Danger  by tamper from unauthorized personnel	
	Unauthorised opening and tampering may lead to death, bodily injury, property damage and malfunctions. Modification or repair is permitted only by authorized personnel by KEB. Infringement will annul the liability for resulting consequences.

The suspension of liability is especially valid also for operation interruption loss, loss of profit, data loss or other damages. The disclaimer will void the warranty. This is also valid, if we referred first to the possibility of such damages.

If single regulations should be or become void, invalid or impracticable, the effectivity of all other regulations or agreements is not affected.

Through multitude applications not each possible case of installation, operation or maintenance can be considered. If you require further information or if special problems occur which are not treated detailed in the documentation, you can request the necessary information via the local KEB Automation KG agency.

1.4 Copyright

The customer may use the instruction manual as well as further documents or parts from it for internal purposes. Copyrights are with KEB and remain valid in its entirety.

KEB®, COMBIVERT®, KEB COMBICONTROL® and COMBIVIS® are registered trademarks of KEB Automation KG.

Other wordmarks or/and logos are trademarks (™) or registered trademarks (®) of their respective owners and are listed in the footnote on the first occurrence.

When creating our documents we pay attention with the utmost care to the rights of third parties. Should we have not marked a trademark or breach a copyright, please inform us in order to have the possibility of remedy.

1.5 Specified application

The used semiconductors and components of KEB Automation KG are developed and dimensioned for the use in industrial products. If the KEB COMBIVERT F5 is used in machines, which work under exceptional conditions or if essential functions, life-supporting measures or an extraordinary safety step must be fulfilled, the necessary reliability and security must be ensured by the machine builder.

The operation of our products outside the indicated limit values of the technical data leads to the loss of any liability claims.

Units with safety function are limited to a service life of 20 years. Then the device must be replaced.

1.6 Product description

This instruction manual describes the power circuits of the following units:

Unit type:	Frequency inverter
Series:	COMBIVERT F5
Power range:	0.37...2.2 kW / 230V class 0.37...4.0 kW / 400V class
Housing size:	B
Version:	air-cooled

Features of the power circuits:

- only slight switching losses due to IGBT
- low noise development due to high switching frequency
- extensive safety device for current, voltage and temperature
- voltage and current monitoring in static and dynamic operation
- conditionally short circuit proof and earth-fault proof
- hardware current limit
- integrated cooling fan

1.7 Unit identification

09	F5	B	1	B	3	9	0	0	
Cooling									
A:					Heat sink		B:		Flat rear
Encoder interface									
0: none									
Switching frequency; short time current limit; overcurrent limit									
5:			4 kHz; 150 %; 180 %			9:			4 kHz; 180 %; 216 %
A:			8 kHz; 180 %; 216 %			B:			16 kHz; 180 %; 216 %
Input identification									
0: 1-ph. 230 VAC or DC supply									
1: 3-ph. 230 VAC or DC supply									
2: 1/3-ph. 230 VAC or DC supply									
3: 3-ph. 400 VAC or DC supply									
6: 1-ph. 230 V AC									
Housing type B									
Accessories									
1: Braking transistor									
B: such as 1 but with safety relay									
3: Braking transistor and integrated filter									
D: such as 3 but with safety relay									
Control type									
B: BASIC ¹⁾									
C: COMPACT									
Series F5									
Inverter size									

1) An output frequency of up to 1600 Hz is possible by changing the operating mode for control type "BASIC" (xxF5Bxx-xxxx). This devices are subject to export authorisation according to entry 3A225 Annex I of the Dual-Use Regulation.

1.8 Installation instructions

1.8.1 Cooling systems

The KEB COMBIVERT F5 is available for different cooling systems:

Heat sink with cooling fan (mounted version)

The standard version is delivered with heat sink and cooling fan.

Special versions



The dissipation of power loss must be guaranteed by the machine builder.

Flat rear

This version is not equipped with a heat sink. The unit must be mounted on an appropriate ground for heat dissipation.

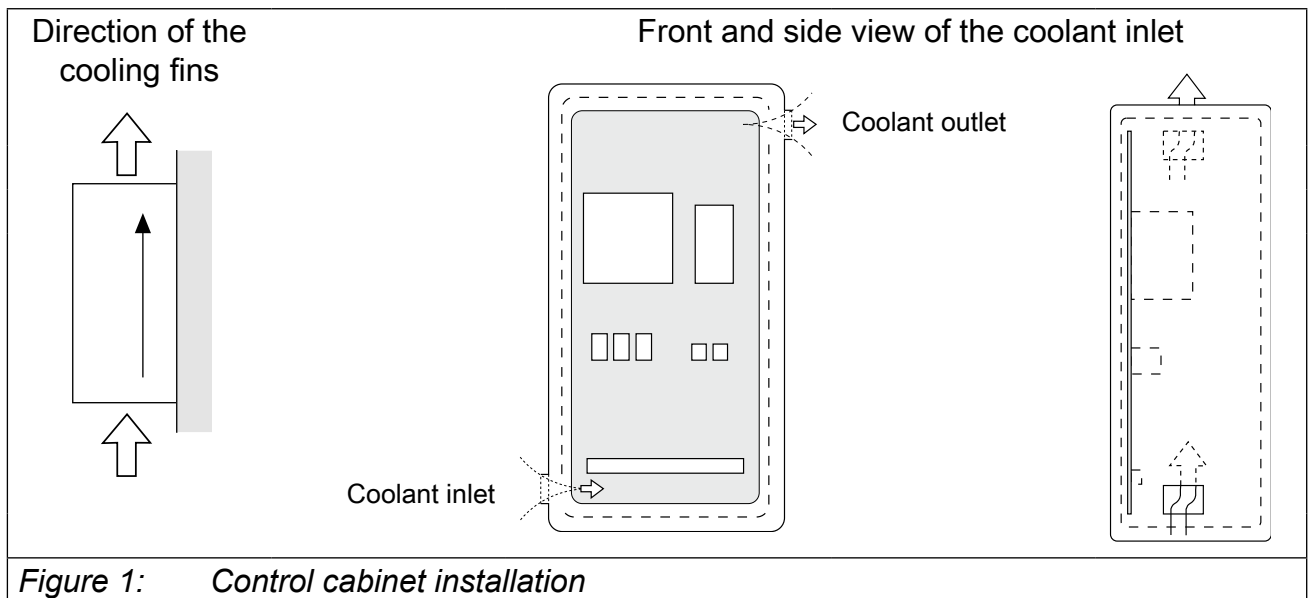
Convection (through-mount version)

In this version the heat sink is placed externally with a cutout in the control cabinet.

Warning  Hot Surface	
 <p>CAUTION DO NOT TOUCH! Hot Surfaces In case of burn, cool afflicted area immediately and seek medical attention.</p>	Heat sinks can reach temperatures, which can cause burns when touching. If in case of structural measures a direct contact cannot be avoided, a warning notice "hot surface" must be mounted at the machine.

1.8.2 Control cabinet installation

Mounting distances	Dimensions	Distance in mm	Distance in inch
	A	150	6
	B	100	4
	C	30	1.2
	D	0	0
	X ¹⁾	50	2
	1) Distance to preceding control elements in the control cabinet door.		



1.9 Safety and application notes



Safety and operating instructions for drive converter

(in accordance with: Low-Voltage Directive 2006/95/EC)

1. General

In operation, drive converter depending on their degree of protection, may have live, uninsulated and possibly also moving or rotating parts, as well as hot surfaces.

In case of inadmissible removal of the required covers, of improper use, wrong installation or maloperation, there is the danger of serious personal injury and damage to property.

For further information, see documentation.

All operations serving transport, installation and commissioning as well as maintenance are to be carried out by skilled technical personnel (observe IEC 364 or CENELEC HD 384 or DIN VDE 0100 and IEC 664 or DIN/VDE 0110 and national accident prevention rules).

For the purposes of these basic safety instructions, „skilled technical personnel“ means persons who are familiar with the installation, mounting, commissioning and operation of the product and have the qualifications needed for the performance of their functions.

2. Specified application

Drive converters are components which are intended for the installation in electric systems or machines.

In case of installation in machinery, commissioning of the drive converter (i.e. the starting of normal operation) is prohibited until the machinery has been proved to conform to the provisions of the directive 2006/42/EC (machine directive). Account is to be taken of EN 60204.

The drive converter meet the requirements of the Low-Voltage directive 2006/95/EC and the EMC directive 2014/30/EC. The associated standards are set out in the declaration of conformity!

The technical data as well as information concerning the supply conditions shall be taken from the rating plate and from the documentation and shall be strictly observed.

3. Transport, storage

The instructions for transport, storage and proper use shall be complied with.

The climatic conditions shall be in conformity with prEN 50178.

4. Installation

The devices must be installed and cooled according to the regulations in the corresponding documentation.

The drive converter shall be protected against excessive strains. In particular, no components must be bent or isolating distances altered in the course of transportation or handling. No contact shall be made with electronic components and contacts.

Drive converter contain electrostatic sensitive components which are liable to damage through improper use. Electric components must not be mechanically damaged or destroyed (potential health risks).

5. Electrical connection

When working on live drive converter, the applicable national accident prevention rules must be complied with (e.g. DGUV regulation 3).

The electrical installation shall be carried out in accordance with the relevant requirements (e.g. cross-sectional areas of conductors, fusing, PE connection). For further information, see documentation.

Instructions for the installation in accordance with EMC requirements, like screening, earthing, location of filters and wiring, are contained in the drive converter documentation. They must always be complied with, also for drive converter bearing a CE marking. Observance of the limit values required by EMC law is the responsibility of the manufacturer of the installation or machine.

6. Operation

Installations which include drive converter shall be equipped with additional control and protective devices in accordance with the relevant applicable safety requirements, e.g. act respecting technical equipment, accident prevention rules etc. Changes to the drive converter by means of the operating software are admissible.

After disconnection of the drive converter from the voltage supply, live appliance parts and power terminals must not be touched immediately because of possibly energized capacitors. In this respect, the corresponding signs and markings on the drive converter must be observed.

During operation, all covers and doors shall be kept closed.

7. Maintenance

The manufacturer's documentation shall be followed.

KEEP SAFETY INSTRUCTIONS IN A SAFE PLACE!

Technical Data

2. Technical Data

2.1 Operating conditions

		Standard	Standard/ class	Instructions
Definition acc.		EN 61800-2		Inverter product standard rated specifications
		EN 61800-5-1		Inverter product standard: general safety
Site altitude				max. 2000 m above sea level (with site altitudes over 1000 m a derating of 1 % per 100 m must be taken into consideration)
Ambient conditions during operation				
Climate	Temperature	EN 60721-3-3	3K3	extended to -10...45 °C (use frost protection for water cooling systems and temperatures below zero) ³⁾
	Humidity		3K3	
Mechanical	Vibration		3M1	
Contamination	Gas		3C2	
	Solids	3S2		
Ambient conditions during transport				
Climate	Temperature	EN 60721-3-2	2K3	Drain heat sink completely (without condensation)
	Humidity		2K3	
Mechanical	Vibration		2M1	max. 100 m/s ² ; 11 ms
	Surge		2M1	
Contamination	Gas	2C2		
	Solids	2S2		
Ambient conditions for the storage				
Climate	Temperature	EN 60721-3-1	1K4	Drain heat sink completely (without condensation)
	Humidity		1K3	
Mechanical	Vibration		1M1	max. 100 m/s ² ; 11 ms
	Surge		1M1	
Contamination	Gas	1C2		
	Solids	1S2		
Type of protection		EN 60529	IP20	
Environment		IEC 664-1		Pollution degree 2
Definition acc.		EN 61800-3		Inverter product standard: EMC
EMC emitted interference				
Cable-based interferences		–	C2 ¹⁾²⁾	Earlier limit value A (B optional) according to EN55011
Radiated interferences		–	C2 ²⁾	Earlier limit value A according to EN55011
Interference immunity				
Static discharges		EN 61000-4-2	8 kV	AD (air discharge) and CD (contact discharge)
Burst - Ports for process measurement control lines and signal interfaces		EN 61000-4-4	2 kV	
Burst - power interfaces		EN 61000-4-4	4 kV	
Surge - power interfaces		EN 61000-4-5	1 / 2 kV	Phase-phase / phase-ground
Electromagnetic fields		EN 61000-4-3	10 V/m	
Cable-fed disturbances, induced by high frequency fields		EN 61000-4-6	10 V	0.15-80 MHz
Voltage variation / voltage drop		EN 61000-2-1	3	+10 % -15 % 90 %
Voltage unsymmetries / frequency changes		EN 61000-2-4	3	3 % 2 %

Attention Deviations

- 1) This product can cause high frequency disturbances in residential areas (category c1) which require noise suppression measures.
- 2) The specified value is only met in connection with a corresponding filter.
- 3) Depending on the conditions and the appropriate derating higher temperatures can also be run in consultation with KEB.
- 4) There is no "Safe isolation" of the control above 2000 m.

2.2 Technical data of the 230V class

Inverter size		05	07	09	10
Housing size		B			
Phases		1 3	1 3	1 3	1 3
Output rated power	[kVA]	0.9	1.6	2.8	4
Max. rated motor power	[kW]	0.37	0.75	1.5	2.2
Output rated current	[A]	2.3	4	7	10
Max. short time current	1) [A]	4.1	7.2	12.6	18
OC-tripping current	[A]	5	8.6	15.1	21.6
Input rated current	[A]	4.6 3.2	8 5.6	14 9.8	20 14
Max. permissible main fuse gG	5) [A]	16 16	20 16	20 16	25 20
Rated switching frequency	[kHz]	16	16	16	8
Max. switching frequency	[kHz]	16	16	16	16
Power dissipation at nominal operating	[W]	50	65	90	105
Power dissipation at DC supply	[W]	48	60	80	90
Standstill current at 4 kHz	2) [A]	1.3	2.6	4.1	5.8
Standstill current at 8 kHz	2) [A]	1.3	2.6	4.1	5.8
Standstill current at 16 kHz	2) [A]	1.3	2.6	3.5	4.9
Min. frequency at continuous full load	[Hz]	6			
Max. heat sink temperature		90 °C (194 °F)			
Motor cable cross-section	3) [mm ²]	1.5	2.5 1.5	2.5 1.5	4 2.5
Min. braking resistor	4) [Ω]	56	56	47	33
Typically braking resistor	[Ω]	180	180	100	68
Max. braking current	4) [A]	7.5	7.5	9.5	12
Overload characteristic		(see annex A)			
Input rated voltage	[V]	230 (UL: 240)			
Input voltage range U _{in}	[V]	180...260 ±0			
Input voltage at DC operation	[V]	250...370 ±0			
Mains frequency	[Hz]	50 / 60 ±2			
Permitted mains forms		TN, TT, IT ⁶⁾ , Δ-mains ⁷⁾			
Output voltage	8) [V]	3 x 0...U _{in}			
Output frequency	9) [Hz]	0...400			
Max. motor line length shielded at 4 kHz	[m]	30	100	100	100
Max. motor line length shielded at 8 kHz	[m]	20	50	100	100
Max. motor line length shielded at 16 kHz	[m]	10	20	40	100

- 1) With regulated systems 5% are to be subtracted as overmodulation capacity
- 2) Max. current before the OL2 function triggers (not at F5 in operating mode v/f)
- 3) Recommended minimum cross section of the motor line for rated power and a cable length of upto 100m (CU)
- 4) This data is only valid for units with internal braking transistor (see "Unit identification")
- 5) Protection in accordance with UL see annex B
- 6) IT system optional
- 7) Phase conductor grounded mains are only permissible without HF filters
- 8) The voltage at the motor is dependent on the series-connected units and on the control method (see A.3)
- 9) The output frequency is dependent on the parameterisation. The output frequency is to be limited in such way that 1/10 of the switching frequency is not exceeded. An output frequency of up to 1600 Hz is possible by changing the operating mode for control type "BASiC" (xxF5Bxx-xxxx). This devices are subject to export authorisation according to entry 3A225 Annex I of the Dual-Use Regulation and they are marked accordingly in the delivery note. The output frequency is limited to max. 599 Hz for control type „COMPACT" (xxF5Cxx-xxxx). This devices are not subject to export authorisation.

Info Note pole pairs

The technical data are for 2/4-pole standard motors. With other pole numbers the inverter must be dimensioned onto the motor rated current. Contact KEB for special or medium frequency motors.

2.3 Technical data of the 400V class

Inverter size		05	07	09	10	12
Housing size		B				
Phases		3				
Output rated power	[kVA]	0.9	1.8	2.8	4	6.6
Max. rated motor power	[kW]	0.37	0.75	1.5	2.2	4
Output rated current	[A]	1.3	2.6	4.1	5.8	9.5
Max. short time current	1) [A]	2.3	4.7	7.4	10.4	17
OC-tripping current	[A]	2.8	5.6	8.9	12.5	21
Input rated current	[A]	1.8	3.6	6	8	13
Max. permissible main fuse gG	7) [A]	16	16	16	16	20
Rated switching frequency	[kHz]	16	16	8	8	4
Max. switching frequency	6) [kHz]	16	16	16	16	4
Power dissipation at nominal operating	[W]	60	90	80	120	150
Power dissipation at DC supply	[W]	58	87	75	110	135
Standstill current at 4 kHz	2) [A]	1.3	2.6	4.1	5.8	9.5
Standstill current at 8 kHz	2) [A]	1.3	2.6	4.1	5.8	-
Standstill current at 16 kHz	2) [A]	1.3	2.6	3.5	4.9	-
Min. frequency at continuous full load	[Hz]	6				
Max. heat sink temperature		90 °C (194 °F)				
Motor cable cross-section	3) [mm ²]	1.5	1.5	1.5	1.5	2.5
Min. braking resistor	4) [Ω]	390	120	120	82	82
Max. braking current	4) [A]	2.2	7.5	7.5	10	10
Overload characteristic		(see annex A)				
Input rated voltage	5) [V]	400 (UL: 480)				
Input voltage range	[V]	305...528 ±0				
Input voltage at DC operation	[V]	420...746 ±0				
Mains frequency	[Hz]	50 / 60 ±2				
Permitted mains forms		TN, TT, IT8), Δ-mains9)				
Output voltage	10) [V]	3 x 0...U _{in}				
Output frequency	11) [Hz]	0...400				
Max. motor line length shielded at 4 kHz	[m]	10	10	100	100	50
Max. motor line length shielded at 8 kHz	[m]	8	8	30	50	-
Max. motor line length shielded at 16 kHz	[m]	4	5	10	10	-

- 1) With regulated systems 5% are to be subtracted as overmodulation capacity
- 2) Max. current before the OL2 function triggers (not at F5 in operating mode v/f)
- 3) Recommended minimum cross section of the motor line for rated power and a cable length of upto 100m (copper)
- 4) This data is only valid for units with internal brake transistor GTR 7 (see "Unit identification")
- 5) At rated voltages ≥ 460V multiply the rated current with factor 0.86
- 6) With BASIC control board only 2 kHz, with COMPACT 8 kHz, with F6-K only 8 kHz
- 7) Protection in accordance with UL see annex B
- 8) Restrictions when using HF filters
- 9) Phase conductor grounded mains are only permissible without HF filters
- 10) The voltage at the motor is dependent on the series-connected units and on the control method (see A.3)
- 11) The actual output frequency is dependent on the parameterisation. The output frequency is to be limited in such way that 1/10 of the switching frequency is not exceeded.
An output frequency of up to 1600 Hz is possible by changing the operating mode for control type "BASIC" (xxF5Bxx-xxxx). This devices are subject to export authorisation according to entry 3A225 Annex I of the Dual-Use Regulation and they are marked accordingly in the delivery note. The output frequency is limited to max. 599 Hz for control type „COMPACT“ (xxF5Cxx-xxxx). This devices are not subject to export authorisation.

Info **Note pole pairs**

The technical data are for 2/4-pole standard motors. With other pole numbers the inverter must be dimensioned onto the rated motor current. Contact KEB for special or medium frequency motors.

Warning **Input rated voltage**

No braking resistor may be connected for control type "Basic" at an input rated voltage of 480Vac. The response threshold of the braking transistor (Pn.69) for all other controls without safety technology (A, E, G, H, M) must be adjusted at least to 770Vdc (see annex D).

2.4 DC supply

2.4.1 Calculation of the DC input current

The **DC input current** if the inverter is basically determined by the used motor. The data can be taken from the motor name plate.

230V class:

$$I_{DC} = \frac{\sqrt{3} \cdot \text{rated motor voltage} \cdot \text{rated motor current} \cdot \text{Motor } \cos \phi}{\text{DC voltage (310V)}}$$

400V class :

$$I_{DC} = \frac{\sqrt{3} \cdot \text{rated motor voltage} \cdot \text{rated motor current} \cdot \text{Motor } \cos \phi}{\text{DC voltage (540V)}}$$

The **DC input peak current** is determined by the operating range.

- If you accelerate on the hardware current limit, the short-time current limit of the inverter must be used in the formula above (instead of the rated motor current).
- If the motor in normal operation is never stressed with rated torque, it can be calculated with the real motor current.

2.4.2 Internal input circuit

The COMBIVERT F5/F6 in B housing corresponds to the inverter type A1. Pay attention to the inverter type in DC interconnection and in operation at regenerative units.

Inverter type for COMBIVERT F5/F6 in B housing: A1

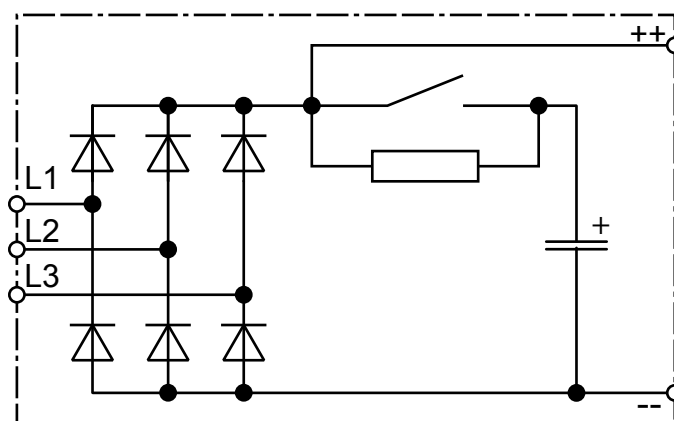
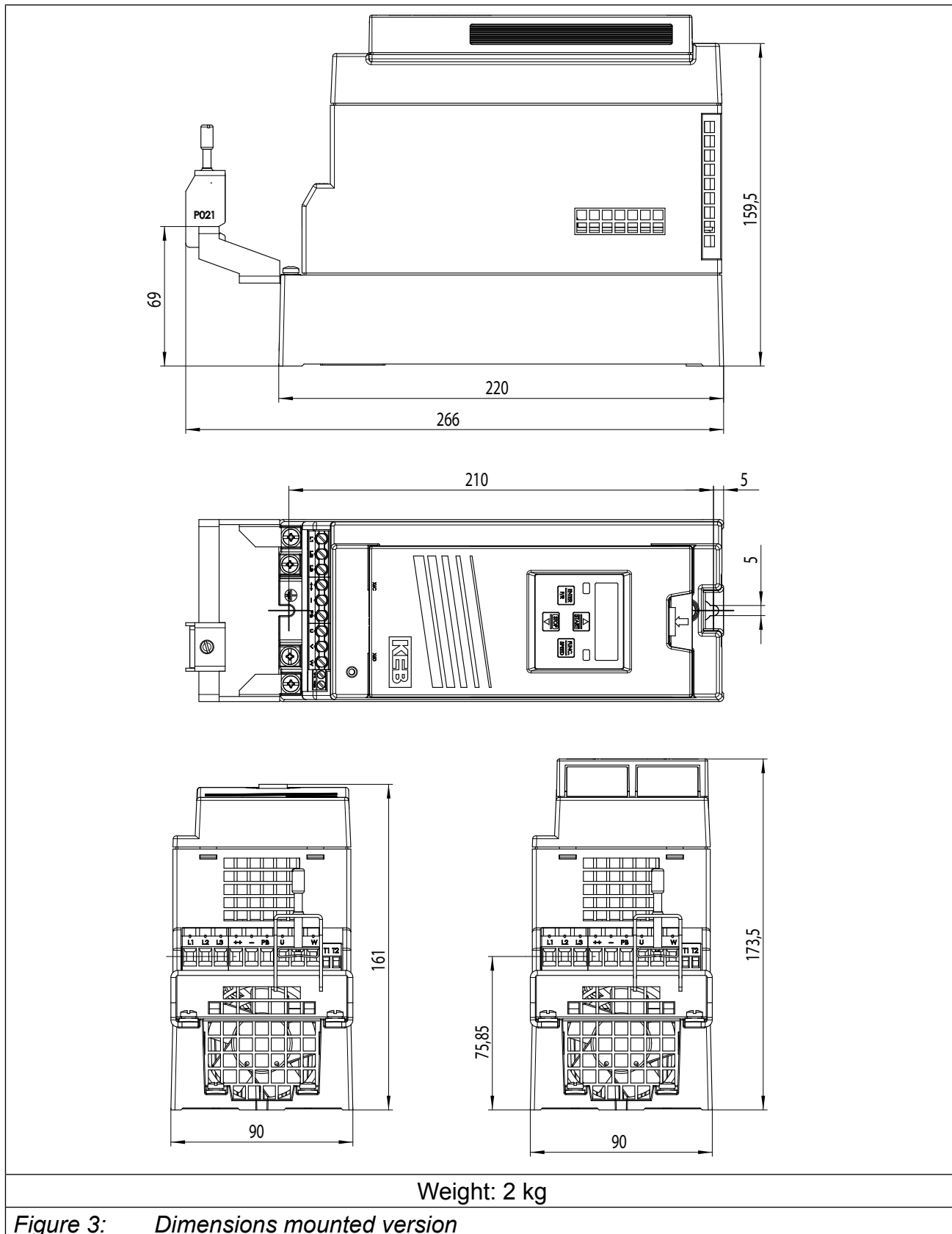


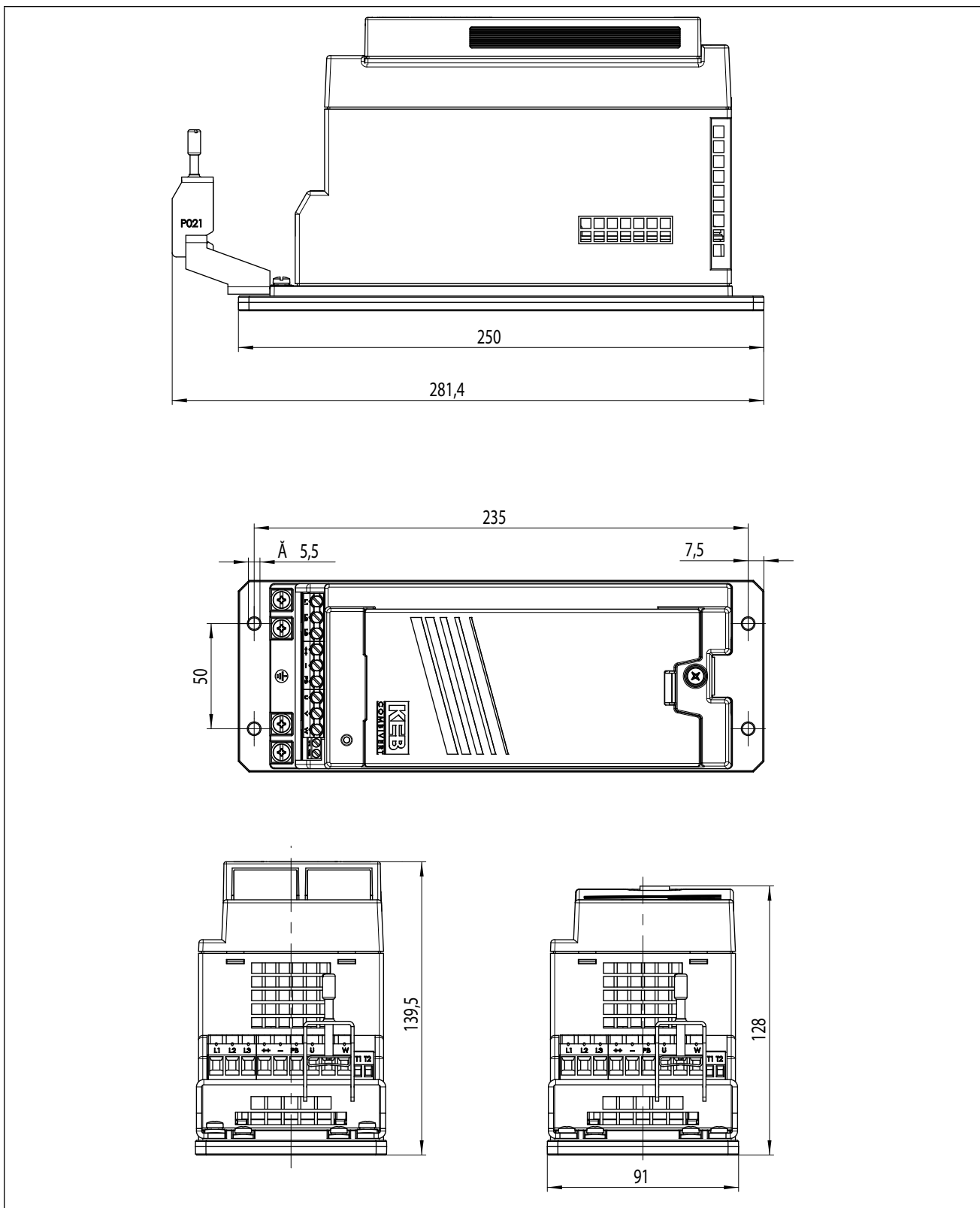
Figure 2: Internal input circuit

2.5 Dimensions and weights

2.5.1 Dimensions mounted version (representation with optional mounting kit)



2.5.2 Dimensions Flat Rear (representation with optional mounting kit)



Weight: 1.8 kg

Figure 4: Dimensions Flat Rear

2.5.3 Mounted version with/without operator

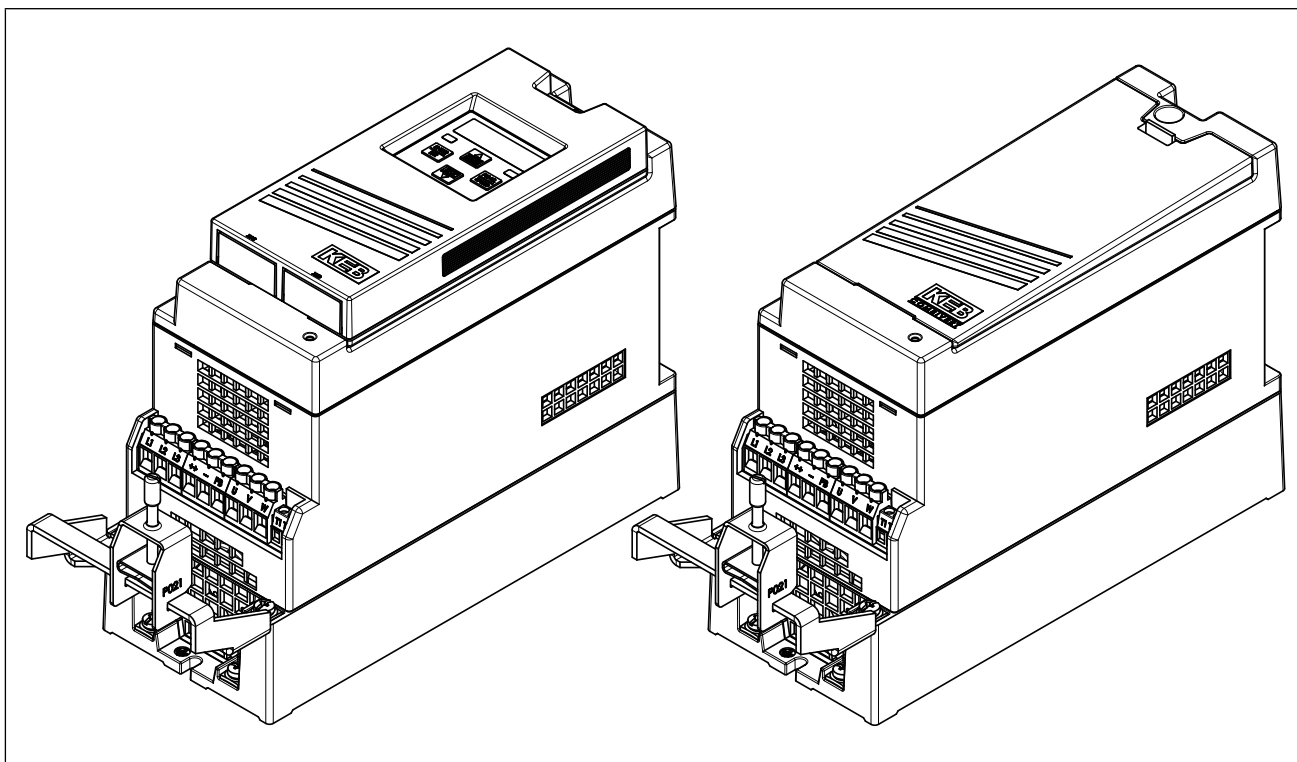


Figure 5: Mounted version with/without operator

2.5.4 Flat Rear mit/ohne Operator

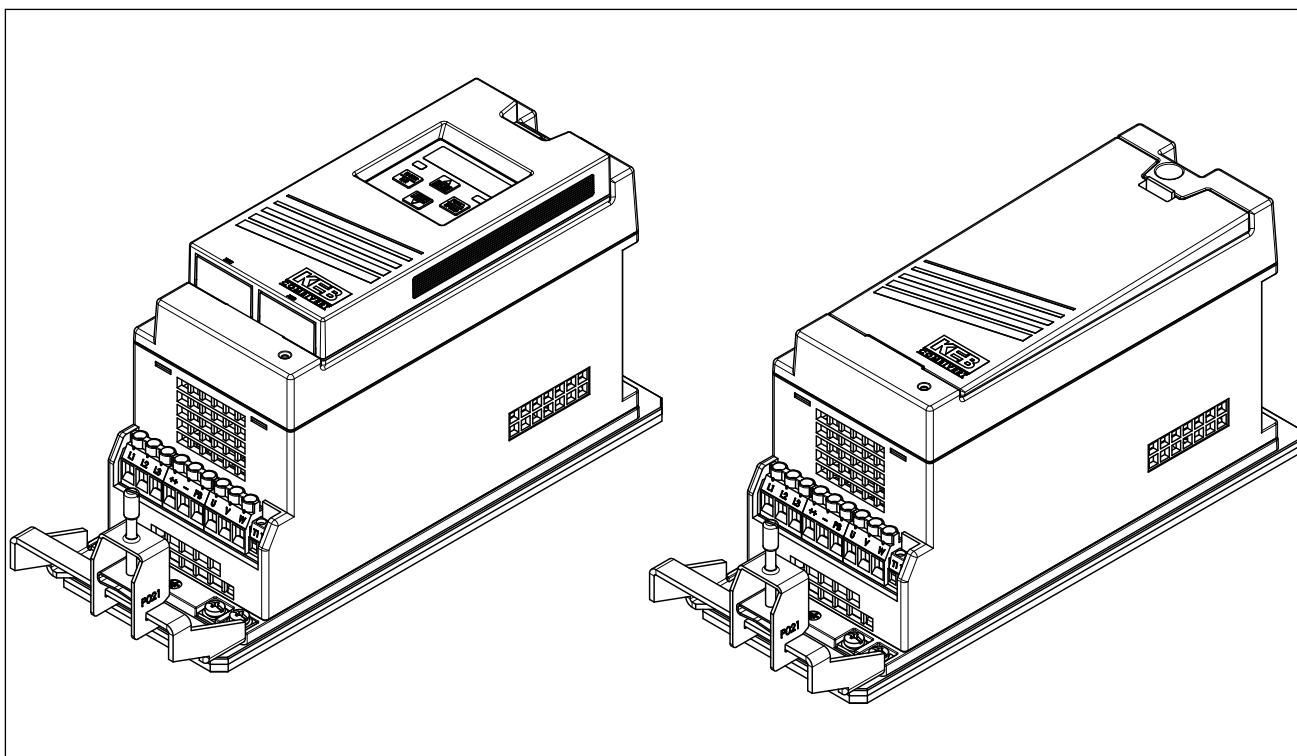



Figure 6: Flat Rear with/without operator

2.6 Terminal strips of the power circuit

Caution  Observe input voltage, since 230 V and 400 V class possible

Info  All terminal strips meet the requirements according to EN 60947-7-1 (IEC 60947-7-1)

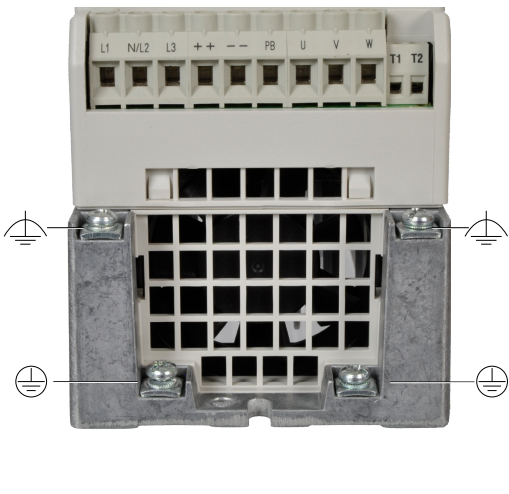
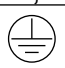

	Name	Function	Cable cross-sections	
			Terminals No.	
	L1, N	1-phase mains connection	1	
	L1, L2, L3	3-phase mains connection		
	U, V, W	Motor connection		
	++, PB	Connection for braking resistor	1	
	++, --	Connection for braking module, regenerative- and supply unit or as DC voltage input 250...370 VDC (230 V class) 420...720 VDC (400 V class)		
	T1, T2	Connection for temperature sensor	2	
		PE connection	3	
	Connection for shielding/shielding shield			

Figure 7: Terminal strips of the power circuit

2.6.1 Permissible cable cross-sections and tightening torques of the terminals

No.	permissible cross-section flexible with wire-end ferrule				Tightening torque	
	mm ²		AWG		Nm	lb inch
	min	max	min	max		
1	0.25	4	24	10	0.6	5
2	0.25	1.5	26	14	0.6	5
3	Screw M4 for ring thimble				1.3	11

Table 1: Permissible cable cross-sections and tightening torques of the terminals

2.7 Accessories

2.7.1 Filter and chokes

Voltage class	Inverter size	Filter	Mains choke 50 Hz (4 % Uk)	Motor choke 100 Hz (4 % Uk)
230V 1-phase	05	10E5T60-0001	05Z1B02-1000	–
	07		07Z1B02-1000	–
	09		09Z1B02-1000	–
	10		10Z1B02-1000	–
230V 3-phase	05	10E5T60-1001	05Z1B03-1000	–
	07		07Z1B03-1000	–
	09	12E5T60-1001	09Z1B03-1000	–
	10		10Z1B03-1000	–

Voltage class	Inverter size	Filter	Mains choke 50 Hz (4 % Uk)	Motor choke 100 Hz (4 % Uk)
400 V	05	10E5T60-1001	05Z1B04-1000	05Z1F04-1010
	07	10E5T60-1002	07Z1B04-1000	07Z1F04-1010
	09		09Z1B04-1000	09Z1F04-1010
	10		10Z1B04-1000	10Z1F04-1010
	12	13E5T60-1001	12Z1B04-1000	12Z1F04-1010

Table 2: Filter and chokes

2.8 Connection power unit

2.8.1 Mains and motor connection

Caution  **Incorrect connection possible!**

- Absolutely pay attention to the supply voltage of the KEB COMBIVERT. A 230V unit at 400V mains is destroyed immediately.
- Exchanging mains and motor connection leads to immediate destruction of the unit.
- Pay attention to the supply voltage and the correct polarity of the motor!

2.8.1.1 Mains connection 1-phase

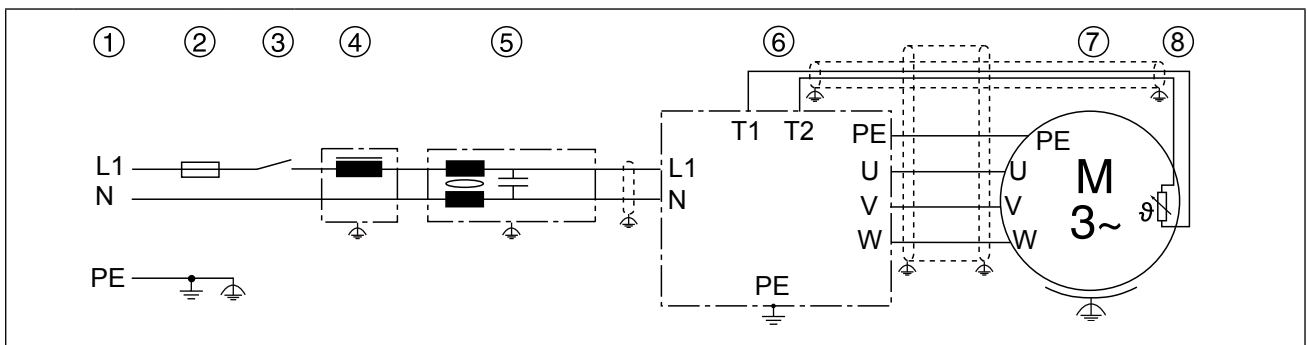


Figure 8: Mains connection 1-phase

Legend		
	1	Mains supply
	2	Mains fuses
	3	Mains contactor
	4	Mains choke
	5	HF filter
	6	KEB COMBIVERT F5
	7	Motor (see also 2.8.3)
	8	Motor protection temperature sensor (also see 2.8.4)

2.8.1.2 Mains connection 3-phase

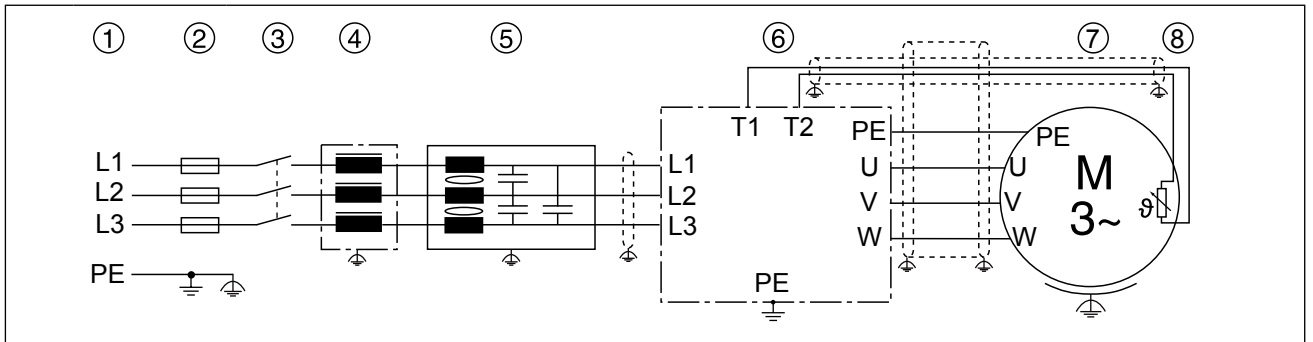


Figure 9: Mains connection 3-phase

Legend	1	Mains supply
	2	Mains fuses
	3	Mains contactor
	4	Mains choke
	5	HF filter
	6	KEB COMBIVERT F5
	7	Motor (see also 2.8.3)
	8	Motor protection temperature sensor (also see 2.8.4)

2.8.1.3 DC connection

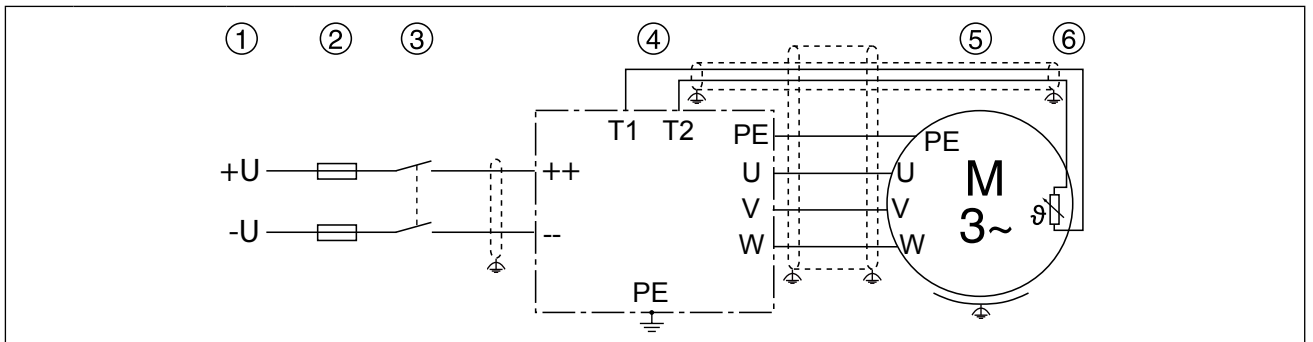


Figure 10: DC connection

Legend	1	DC supply
	2	DC fuses
	3	Mains contactor
	4	KEB COMBIVERT F5 with DC input
	5	Motor (see also 2.8.3)
	6	Motor protection temperature sensor (also see 2.8.4)

2.8.2 Selection of the motor cable

The correct selection and wiring of the motor cable is very important:

- lower abrasion of the motor bearings by leakage currents
- improved EMC characteristics
- lower symmetrical operating capacities
- less losses by transient currents

2.8.3 Connection of the motor

As standard the connection of the motor must be carried out in accordance with the following table:

230/400 V motor		400/690 V motor	
230 V	400 V	400 V	690 V
Delta	Star	Delta	Star

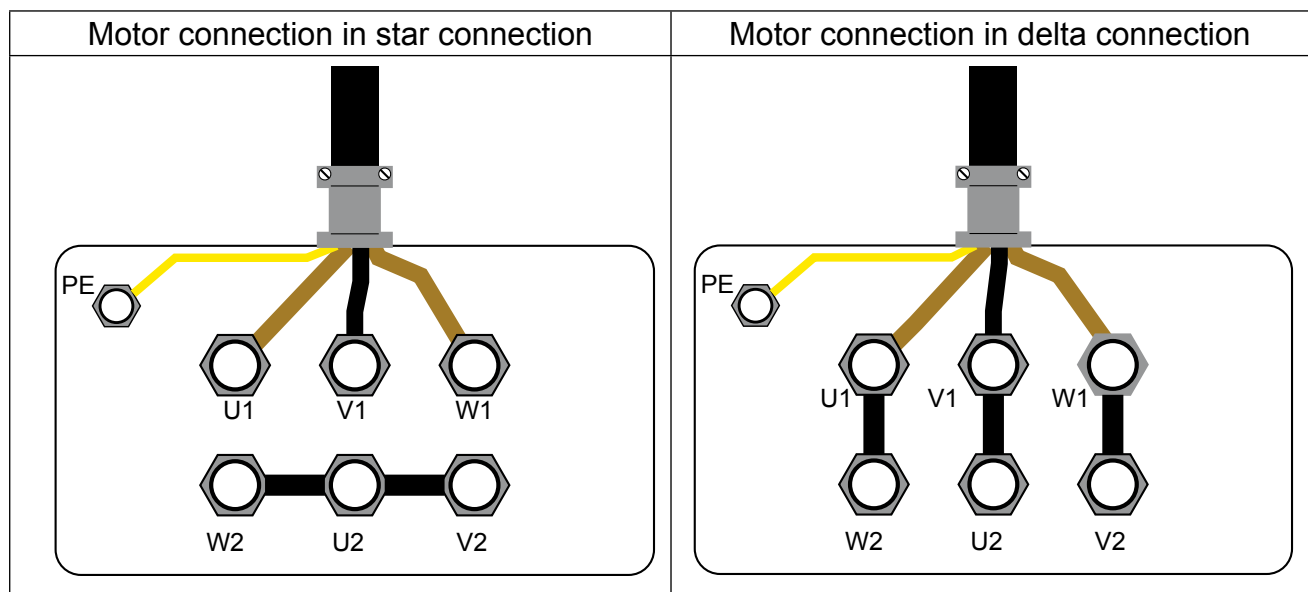


Figure 11: Connection of the motor

Attention



The connecting-up instructions of the motor manufacturer are generally valid!

Caution



Protect motor against voltage peaks!

Inverters switch with dv/dt of approx. $5kV/\mu s$ at the output. Voltage peaks at the motor which endanger the insulation system can occur especially in case of long motor lines ($> 15m$). A motor choke, a dv/dt -filter or sine-wave filter can be used for protection of the motor.

2.8.3.1 Motor cable length for parallel operation of motors


The resulting motor cable length for parallel operation of motors, or parallel installation with multiple cables arises from the following formula:

$$\text{resulting motor cable length} = \sum \text{single line length} \times \sqrt{\text{number of motor lines}}$$

2.8.4 Temperature detection T1, T2

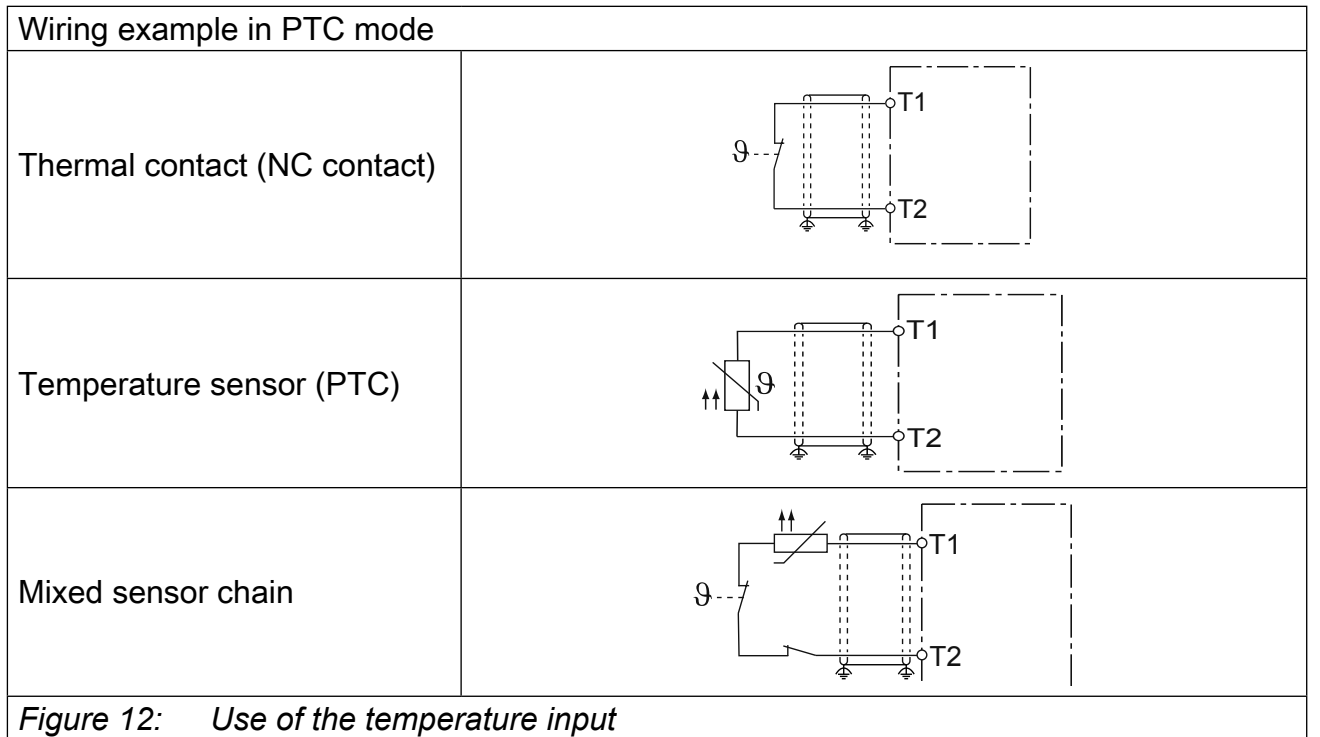
In.17	Function of T1, T2	Pn.72 (dr33)	Resistance	Display ru.46 (F6 => ru28)	Error/Warning ¹⁾
5xh	PTC (in accordance with DIN EN 60947-8)	1	< 750 Ω	T1-T2 closed	–
			0.75...1.65 kΩ (reset resistance)	undefined	–
			1.65...4 kΩ (tripping resistance)	undefined	x
			> 4 kΩ	T1-T2 open	x
1)	The column is valid at factory setting. The function must be programmed accordingly with parameters Pn.12, Pn.13, Pn.62 and Pn.72 for F5 in operating mode GENERAL.				

Table 3: Temperature detection T1, T2

Attention  **Motor cable**

Do not lay PTC cable of the motor (also shielded) together with control cable!
PTC cable inside the motor cable only permissible with double shielding!

2.8.4.1 Use of the temperature input



The function can be switched off with Pn.12 = "7" (CP.28) if no evaluation of the input is desired. Alternatively a bridge can be installed between T1 and T2.

2.8.5 Connection of a braking resistor

Warning Very high surface temperatures

Braking resistors dissipate the produced energy of the motor into heat during generative operation. Thus braking resistors can cause very high surface temperatures. During assembly pay attention to appropriate protection against contact and fire.

Info Regenerative unit

The use of a regenerative unit is reasonable for applications which produce a lot of regenerative energy. Regeneration of excess energy into the mains.

Attention Technical information

- The mains voltage must always be switched off in order to guarantee fire protection in case of a defective braking transistor.
- The frequency inverter remains in operation in spite of switched off power supply in generative operation. An error must be released by external wiring which switches the modulation off in the inverter. This can occur e.g. at terminals T1/T2 or via digital input. The frequency inverter must be programmed accordingly in each case.
- No braking resistor may be connected for control type "Basic" at an input rated voltage of 480 Vac. The response threshold of the braking transistor (Pn.69) for all other controls without safety technology (A, E, G, H, M) must be adjusted at least to 770 Vdc (see annex D).

2.8.5.1 Braking resistor without temperature monitoring

Intrinsically safe braking resistor without temperature monitoring

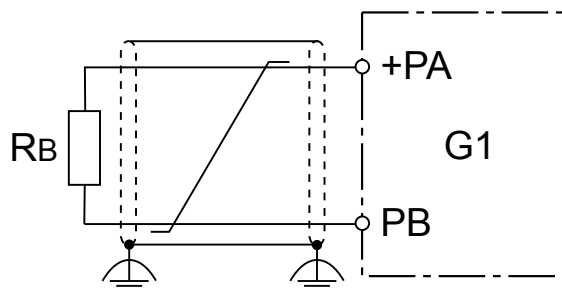



Figure 13: Braking resistor without temperature monitoring

Attention  Only "intrinsically safe" braking resistors are permissible for operation without temperature monitoring.

2.8.5.2 Braking resistor with overheat protection

This circuit offers a direct protection with defective braking transistor (GTR7). The braking resistor overheats and opens the terminals OH1 and OH2 with defective GTR7. The OH terminals open the holding circuit of the input contactor, so that the input voltage is switched off in error case. An error in inverter is released by opening the auxiliary contacts of K3. Regenerative operation is also secured by the internal fault disconnection. The input must be programmed and inverted to "external error". Automatic restarting after cooling of the braking resistor is prevented by the self-holding circuit of K3.

Info **Terminals T1/T2 / braking resistor**

- If the PTC evaluation of the motor at terminals T1/T2 is not used, these terminals can be used instead of the programmable input.
- The figure below is only an example and must be adapted to the application.

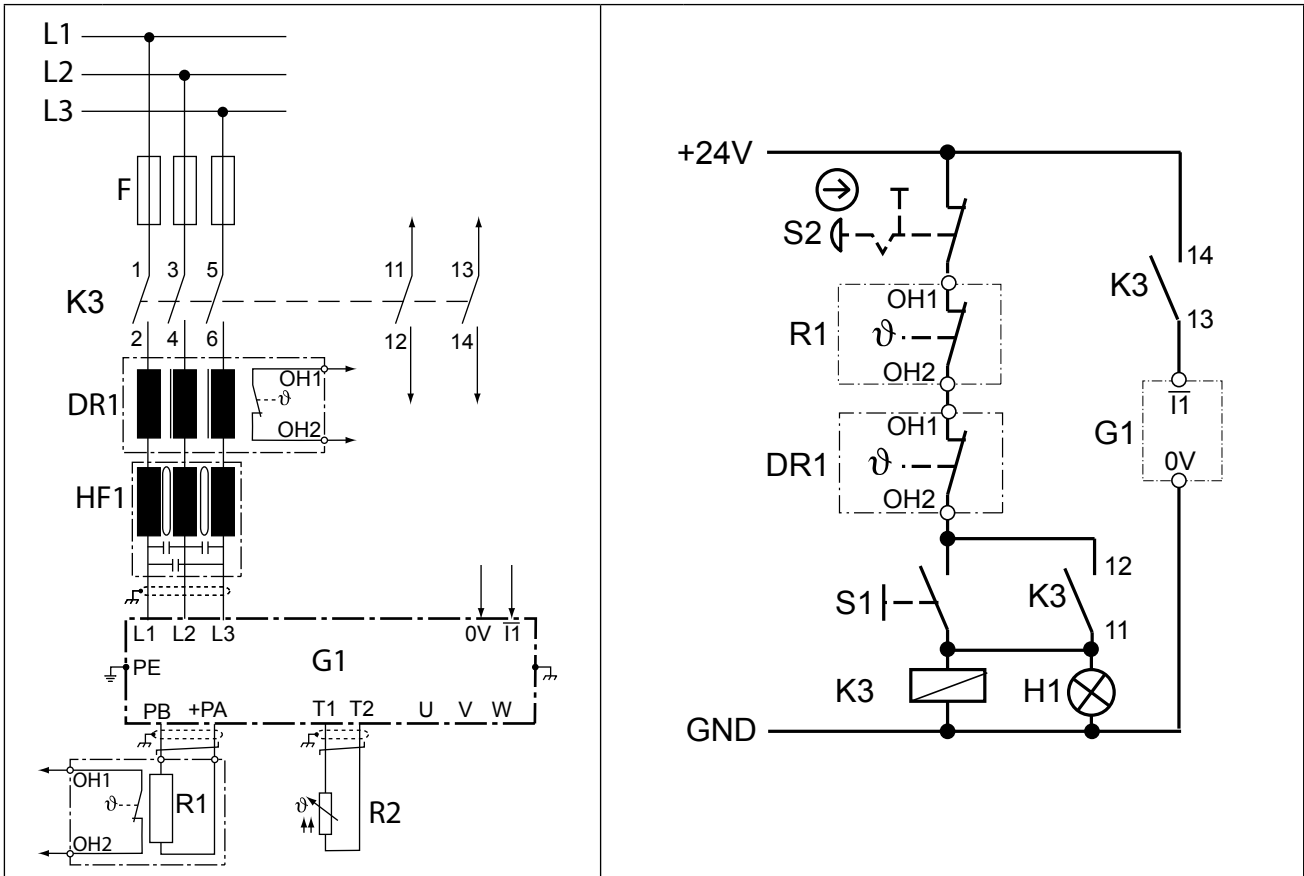


Figure 14: Braking resistor with overheat protection

K3	Line contactor with auxiliary contacts	R1	Braking resistor with temperature switch
S1	Key for switch on	R2	PTC sensor e.g. of the motor
S2	Emergency stop circuit breaker for switch off	DR1	Mains choke with temperature switch (optional)
H1	Tripping control	HF1	HF filter
G1	Inverter with programmable input I1		

A. Annex A

A.1 Overload characteristic

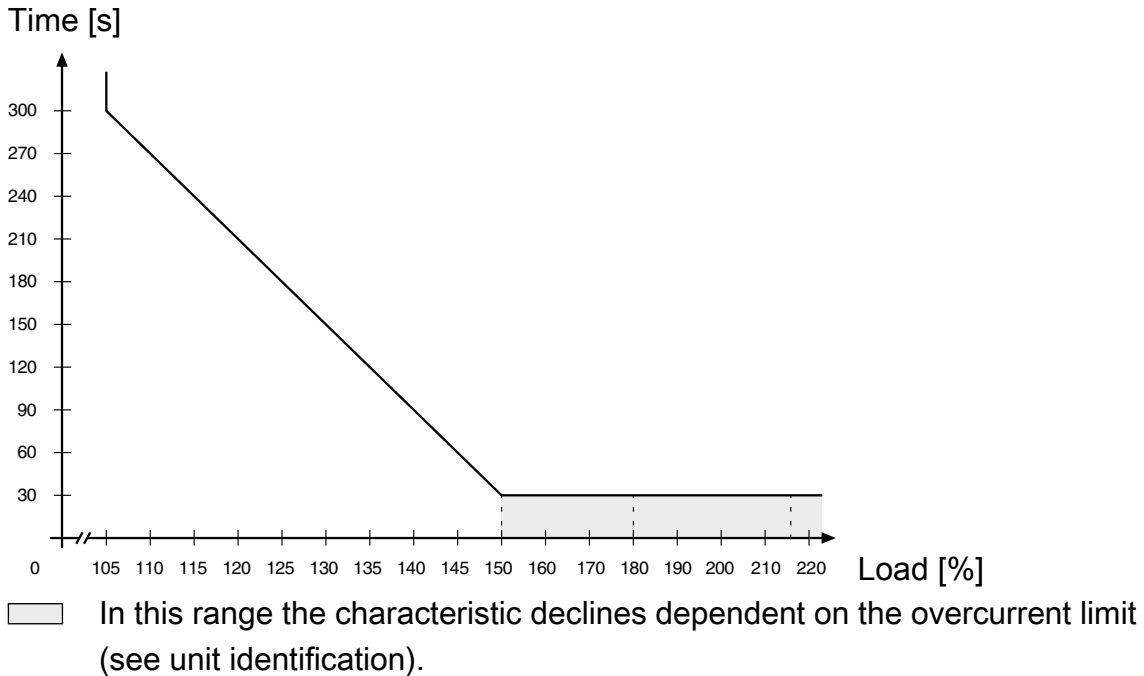


Figure 15: Overload characteristic

On exceeding a load of 105% the overload integrator starts. When falling below the integrator counts backwards. If the integrator achieves the overload characteristic that corresponds to the inverter, the error E.OL is triggered.

A.2 Overload protection in the lower speed range

(only operating mode MULTI and SERVO)

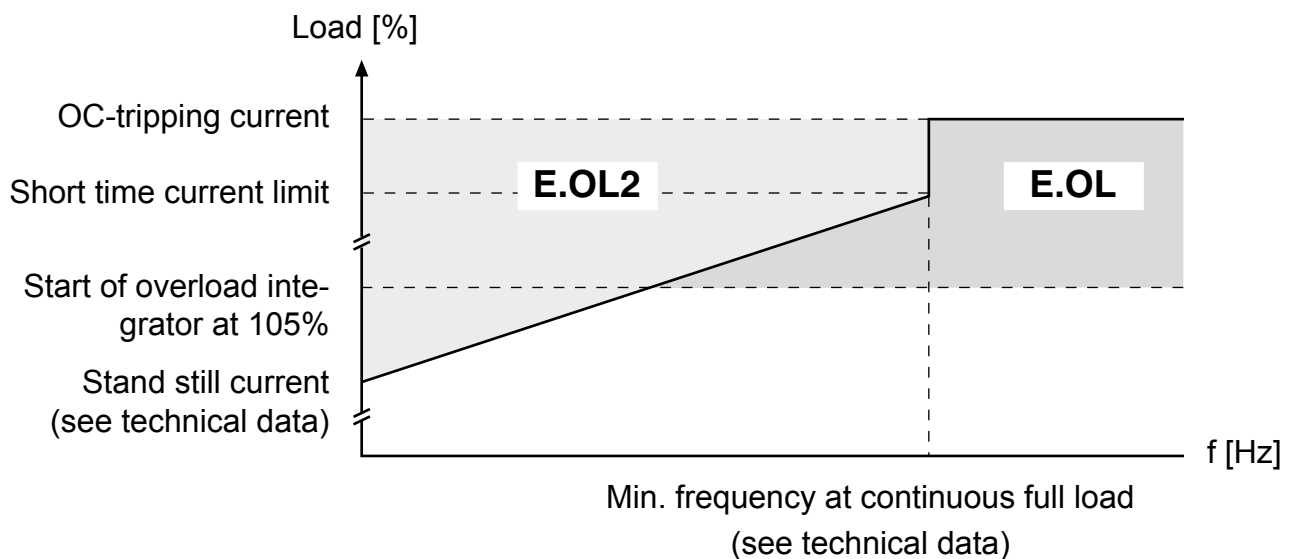


Figure 16: Overload protection in the lower speed range

A PT1 element ($\tau=280$ ms) starts if the permissible current is exceeded. After its sequence of operation the error E.OL2 is triggered.

A.3 Calculation of the motor voltage

The motor voltage for dimensioning of the drive is depending on the used components. The mains voltage reduces according to the following table:

Mains choke Uk	4 %	Example: Closed-loop inverter with mains- and motor choke at non-rigid supply system: 400V mains voltage - 15 % = 340V motor voltage
Inverter open-loop	4 %	
Inverter closed-loop	8 %	
Motor choke Uk	1 %	
Non-rigid supply system	2 %	

A.4 Shut down

All work may only be done by qualified personnel. The security must be ensured as follows:

- Disconnect power supply at MCCB
- Secure against restarting
- Await discharge time of capacitors (if necessary controlling by measurement at „+PA“ and „-“, respectively „++“ and „--“)
- Ensure loss of voltage by measurement

A.4.1 Maintenance

In order to avoid premature ageing and avoidable malfunctions, the measures mentioned below must be carried out in the appropriate cycle.

Cycle	Function
Constant	Pay attention to unusual noises of the motor (e.g. vibrations) as well as of the frequency inverter (e.g. fan).
	Pay attention to unusual smells of the motor or frequency inverter (e.g. evaporation of capacitor electrolyte, braise of the motor winding).
Monthly	Check unit for loose screws and plugs and if necessary tighten up.
	Clean frequency inverter from dirt and dust deposits. Pay attention especially to cooling fins and protective grid of the fans.
	Examine and clean extracted air filter and cooling air filter of the control cabinet.
Annual	Examine function of the fans of the KEB COMBIVERT. The fans must be replaced in case of audible vibrations or squeak.
	Check the connecting ducts for corrosion and change it if necessary for units with water cooling.

Table 4: Maintenance

A.4.2 Storage

The DC link of the KEB COMBIVERT is equipped with electrolytic capacitors. If the electrolytic aluminium capacitors are stored de-energized, the internal oxide layer is removed slowly. Due to the leakage current the oxide layer is unrenewed. If the capacitor starts running with rated voltage there is a high leakage current which can destroy the capacitor.

In order to avoid defectives, the KEB COMBIVERT must be started up depending on the storage period in accordance with the following specification:

Storage period < 1 year			
• Start-up without special measures			
Storage period 1...2 years			
• Operate frequency inverter one hour without modulation			
Storage period 2...3 years			
• Remove all cables from the power circuit; especially of braking resistor or module			
• Open control release			
• Connect variable transformer to inverter input			
• Increase variable transformer slowly to indicated input voltage (>1 min) and remain at least on the specified time.			
	Voltage class	Input voltage	Residence time
	230 V	0...160 V	15 min
		160...220 V	15 min
		220...260 V	1 h
	400 V	0...280 V	15 min
		280...400 V	15 min
		400...500 V	1 h
Storage period > 3 years			
• Input voltages as before, however double the times per year. Eventually change capacitors.			

After expiration of this start-up the KEB COMBIVERT can be operated on nominal rating conditions or delivered to a new storage.

A.4.3 Cooling circuit

The cooling circuit must be completely empty if a unit shall be switched off for a longer period. The cooling circuit must be blown out additionally with compressed air at temperatures below 0°C.

A.4.4 Fault correction

A defective device should only be repaired by KEB or an authorized partner. Defective components, modules or options may only be replaced by original parts. The device must be returned in original packaging with a detailed bug report.

A.4.5 Disposal

Defective devices which should not be repaired or which are not safe because of their service life are applied as electronic waste and must be disposed as hazardous waste according to the local regulations.

B. Annex B

B.1 Certification

B.1.1 CE Marking

CE marked frequency inverter and servo drives were developed and manufactured to comply with the regulations of the Low-Voltage Directive 2006/95/EC.

The inverter or servo drive must not be started until it is determined that the installation complies with the Machine directive (2006/42/EC) as well as the EMC-directive (2004/108/EC) (note EN 60204).

The frequency inverters and servo drives meet the requirements of the Low-Voltage Directive 2006/95/EC. They are subject to the harmonized standards of the series EN61800-5-1.

This is a product of limited availability in accordance with IEC61800-3. This product may cause radio interference in residential areas. In this case the operator may need to take corresponding measures.

B.1.2 UL Marking



Acceptance according to UL is marked at KEB inverters with the adjacent logo on the type plate.

To be conform according to UL for use on the North American and Canadian Market the following additionally instructions must be observed (original text of the UL-File):

- Suitable For Use On A Circuit Capable Of Delivering Not More Than 10000 rms Symmetrical Amperes, 240 or 480 Volts Maximum" when "Protected by Fuses" see Instruction Manual for specific fuse details and Alternate Branch Circuit Protection details".
- Maximum Surrounding Air Temperature 45 °C (113 °F)
- For control cabinet mounting as „Open Type“
- Use in a Pollution Degree 2 environment
- Use 60/75°C Copper Conductors only
- Motor protection by adjustment of current parameters. For adjustment see application manual parameters Pn.14 and Pn.15
- Motor Overtemperature Protection:
These drive models are not provided with load and speed sensitive overload protection and thermal memory retention up on shutdown or loss of power (for details see NEC, article 430.126(A)(2)".
- Only for use in WYE 480V/277V supply sources
- Overload protection at 130% of inverter output rated current (see type plate)
- Operator and Control Board Rating of relays (30Vdc.:1A)

continued on next page

- Integral solid state short circuit protection does not provide branch circuit protection. Branch circuit protection must be provided in accordance with the Manufacturer Instructions, National Electrical Code and any additional local codes, or the equivalent.

Branch Circuit Protection for inverters F5–B housing:

Inverter	Input Voltage	UL248 Fuse Class CC, J or RK5 #1)
	[V]	[A]
05F5	240 / 1ph	10
	240 / 3ph	6
05F5	480 / 3ph	5
07F5	240 / 1ph	15
	240 / 3ph	10
07F5	480 / 3ph	6
09F5	240 / 1ph	20
	240 / 3ph	15
09F5	480 / 3ph	10
10F5	240 / 1ph	30
	240 / 3ph	25
10F5	480 / 3ph	12
12F5	480 / 3ph	15

#1) The voltage rating of the Class rated fuses shall be at least equal to the voltage rating of the Drives.

Branch Circuit Protection: Type E Self Protected Manual Motor Controllers for inverters F5–B housing.

Type and manufacturer and electrical ratings as specified below:

Cat. No.	Drive input rating	Self Protected Manual Motor Controller Type and manufacturer	Self Protected Manual Motor Controller rating
05F5	240V/1ph	PKZMO–10E, Eaton Industries	230V/ 1ph, 1.5 hp
05F5	240V/3ph	PKZMO–6.3E, Eaton Industries	230V/ 3ph, 1.5 hp
07F5	240V/1ph	PKZMO–16E, Eaton Industries	230V/ 1ph, 2 hp
07F5	240V/3ph	PKZMO–10E, Eaton Industries	240V/ 3ph, 3 hp
09F5	240V/1ph	PKZMO–20E, Eaton Industries	230V/ 1ph, 3 hp
09F5	240V/3ph	PKZMO–16E, Eaton Industries	230V/3ph, 5 hp
10F5	240V/1ph	PKZMO–32E, Eaton Industries	230V/ 1ph, 5 hp
10F5	240V/3ph	PKZMO–16E, Eaton Industries	230V/3ph, 5 hp

Annex B

Cat. No.	Drive Input rating #	Self Protected Manual Motor Controller Type and manufacturer	Self Protected Manual Motor Controller rating
05F5	480V/3ph	PKZMO–10E, Eaton Industries	480Y/277V, 7.5 hp
07F5	480V/3ph	PKZMO–10E, Eaton Industries	480Y/277V, 7.5 hp
09F5	480V/3ph	PKZMO–10E, Eaton Industries	480Y/277V, 7.5 hp
10F5	480V/3ph	PKZMO-12E, Eaton Industries	480Y/277V, 7.5 hp
12F5	480V/3ph	480V/3ph PKZMO–12E, Eaton Industries	480Y/277V, 10 hp

all Drives series which use a Self Protected Motor Controller rated 480Y/277V are suitable for 480Y/277V sources only.

B.3 Further instructions

Additional instructions and information can be downloaded under

www.keb.de > Service > Downloads

General instructions

- Part 1 EMC and safety instructions

Unit-specific manuals

- Part 2 power circuits
- Part 3 control circuit

Service notes

- Download of parameter lists
- Error messages

Manuals for construction and development

- Application manual
- Creation of a user-defined parameter menu
- Programming of the digital inputs
- Input fuses in accordance with UL for COMBIVERT F5

Certificates and approvals

- CE declaration of conformity
- UL-Yellow Card (<http://www.ul.com>)

C. Annex C

C.1 Changing the response threshold of the braking transistor

(not valid for control type „BASIC“)

To avoid a premature switching of the brake transistor at an input rated voltage of 480Vac, the response threshold must be controlled or adjusted according to the following graphic.

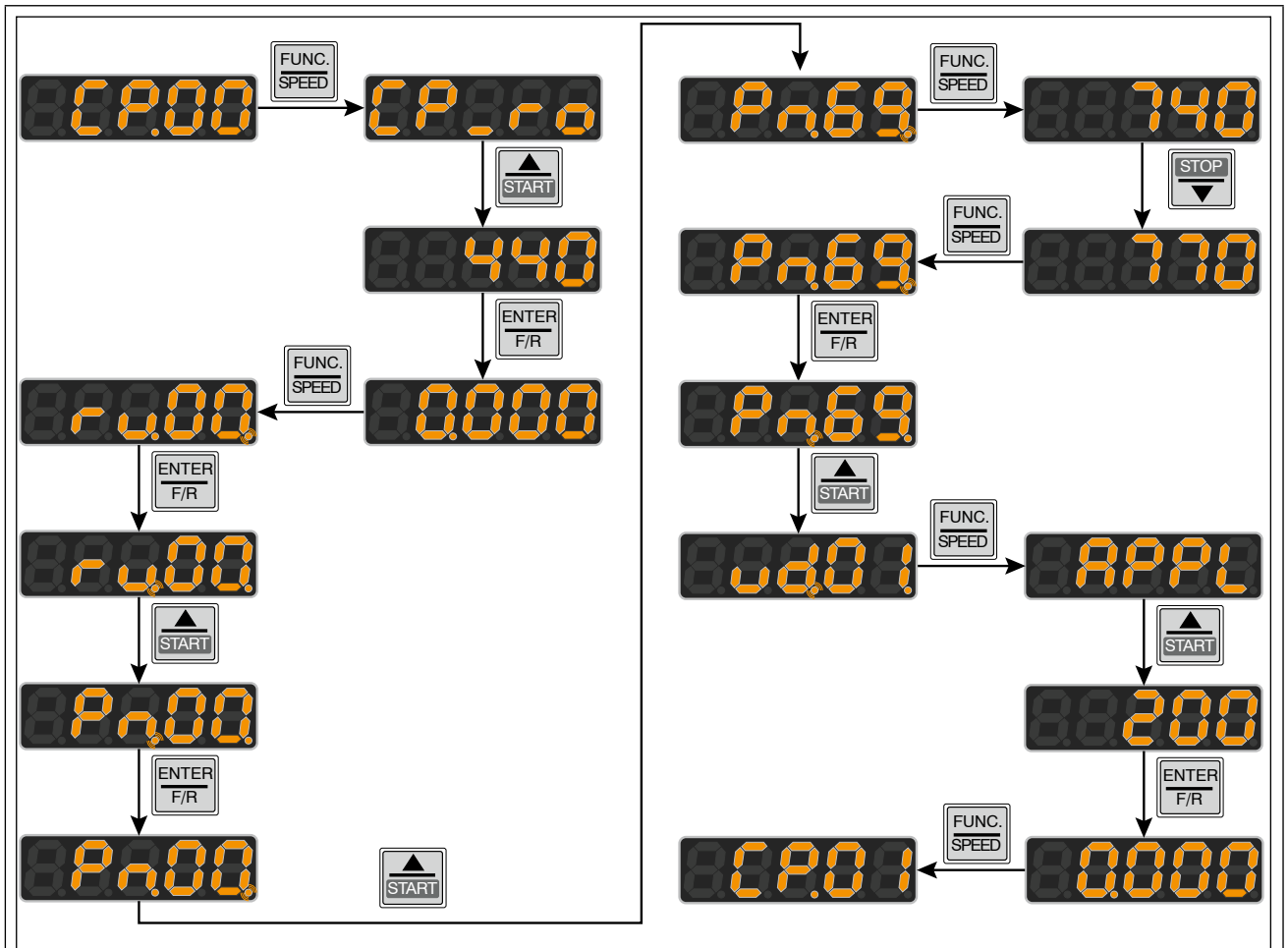


Figure 17: Changing the response threshold of the braking transistor



KEB Automation KG

Südstraße 38 • 32683 Barntrup
fon: +49 5263 401-0 • fax: +49 5263 401-116
net: www.keb.de • mail: info@keb.de

KEB worldwide...

KEB Antriebstechnik Austria GmbH

Ritzstraße 8 • 4614 Marchtrenk
fon: +43 7243 53586-0 • fax: +43 7243 53586-21
net: www.keb.at • mail: info@keb.at

KEB Antriebstechnik

Herenveld 2 • 9500 Geraadsbergen
fon: +32 5443 7860 • fax: +32 5443 7898
mail: vb.belgien@keb.de

KEB Power Transmission Technology (Shanghai) Co.,Ltd.

No. 435 Qianpu Road, Chedun Town, Songjiang District,
Shanghai 201611, P.R. China
fon: +86 21 37746688 • fax: +86 21 37746600
net: www.keb.de • mail: info@keb.cn

KEB Antriebstechnik Austria GmbH

Organizační složka
Suchovrbenske nam. 2724/4 • 370 06 České Budějovice
fon: +420 387 699 111 • fax: +420 387 699 119
mail: info@keb.cz

KEB Antriebstechnik GmbH

Wildbacher Str. 5 • 08289 Schneeberg
fon: +49 3772 67-0 • fax: +49 3772 67-281
mail: info@keb-drive.de

KEB España

C/ Mitjer, Nave 8 - Pol. Ind. LA MASIA
08798 Sant Cugat Sesgarrigues (Barcelona)
fon: +34 93 897 0268 • fax: +34 93 899 2035
mail: vb.espana@keb.de

Société Française KEB

Z.I. de la Croix St. Nicolas • 14, rue Gustave Eiffel
94510 LA QUEUE EN BRIE
fon: +33 1 49620101 • fax: +33 1 45767495
net: www.keb.fr • mail: info@keb.fr

KEB (UK) Ltd.

Morris Close, Park Farm Industrial Estate
Wellingborough, NN8 6 XF
fon: +44 1933 402220 • fax: +44 1933 400724
net: www.keb.co.uk • mail: info@keb.co.uk

KEB Italia S.r.l.

Via Newton, 2 • 20019 Settimo Milanese (Milano)
fon: +39 02 3353531 • fax: +39 02 33500790
net: www.keb.de • mail: kebitalia@keb.it

KEB Japan Ltd.

15-16, 2-Chome, Takanawa Minato-ku
Tokyo 108-0074
fon: +81 33 445-8515 • fax: +81 33 445-8215
mail: info@keb.jp

KEB Korea Seoul

Room 1709, 415 Missy 2000
725 Su Seo Dong, Gang Nam Gu
135-757 Seoul/South Korea
fon: +82 2 6253 6771 • fax: +82 2 6253 6770
mail: vb.korea@keb.de

KEB RUS Ltd.

Lesnaya Str. House 30, Dzerzhinsky (MO)
140091 Moscow region
fon: +7 495 632 0217 • fax: +7 495 632 0217
net: www.keb.ru • mail: info@keb.ru

KEB America, Inc.

5100 Valley Industrial Blvd. South
Shakopee, MN 55379
fon: +1 952 224-1400 • fax: +1 952 224-1499
net: www.kebamerica.com • mail: info@kebamerica.com

More and latest addresses at <http://www.keb.de>

© KEB	
Mat.No.	00F50DB-KD00
Rev.	1D
Date	07/2015