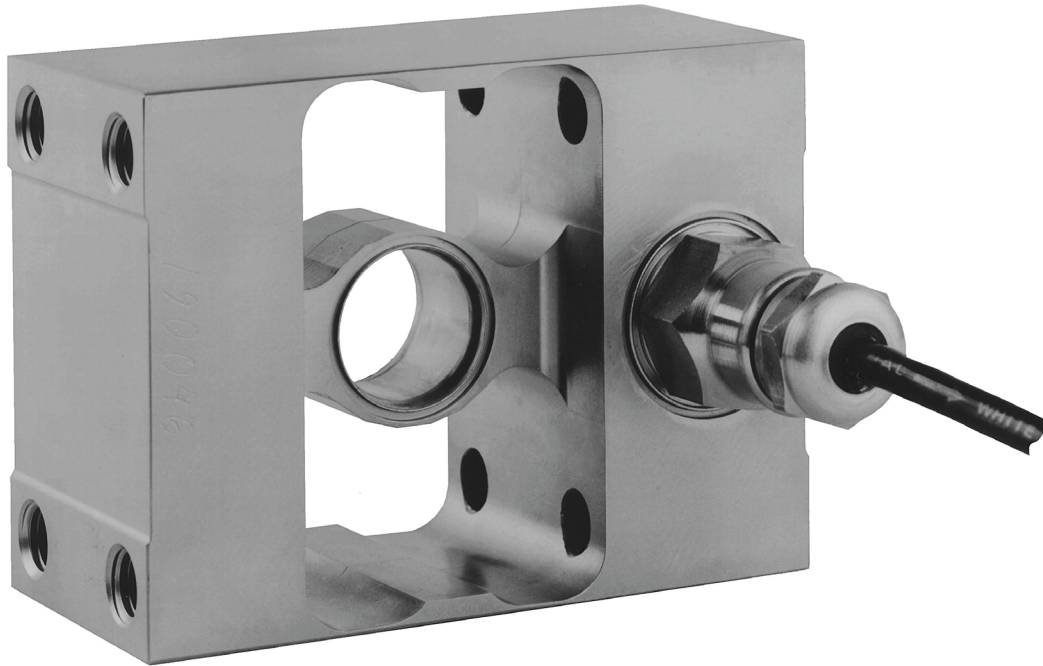

PC2 single point load cell



product description

End-mounted, single point load cell for general industrial weighing machinery. Fully sealed and constructed from stainless steel the PC2 is fully off-centre load adjusted to provide high accuracy weighing results in dynamic and static equipment. Ideal for very large single load cell platforms, up to 1 mtr² and low capacity hopper systems.

applications

Large bench and platform scales, checkweighers, vessel and hoppers weighing applications.

key features

Stainless steel construction

Capacities of 20kg and 150kg

Hermetically sealed to IP68

Suitable for wall mounting

For platforms sizes of up to 1,000 x 1,000mm

High input resistance

approvals

ATEX hazardous area approval for zones 0, 1, 2, 20, 21 and 22

FM hazardous area approval

accessories

Compatible range of electronics



RoHS
compliant



specifications

Maximum capacity (E_{max})	kg	20 / 150	
Accuracy class according to OIML R60		(GP)	G3*
Maximum number of verification intervals (n_{LC})		n.a.	3,000
Minimum load cell verification interval (v_{min})		n.a.	$E_{max} / 10,000$
Temperature effect on minimum dead load output (TC_0)	%*RO/10°C	± 0.0400	± 0.0140
Temperature effect on sensitivity (TC_{RO})	%*RO/10°C	± 0.0200	± 0.0100
Combined error	%*RO	± 0.0500	± 0.0200
Non-linearity	%*RO	± 0.0400	± 0.0166
Hysteresis	%*RO	± 0.0400	± 0.0166
Creep error (30 minutes)	%*RO	± 0.0600	± 0.0166
Rated Output (RO)	mV/V	2 ± 5%	
Zero balance	%*RO	± 5	
Excitation voltage	V	5...15	
Input resistance (100 V DC) (R_{LC})	Ω	1,100 ± 50	
Output resistance (R_{out})	Ω	960 ± 50	
Insulation resistance	MΩ	≥ 5,000	
Safe load limit (E_{lim})	%* E_{max}	200	
Ultimate load	%* E_{max}	300	
Safe side load	%* E_{max}	100	
Maximum platform size; loading acc. to OIML R76	mm	600 x 600 for 20 kg / 1,000 x 1,000 for 150 kg	
Maximum off centre distance at maximum capacity	mm	250 for 20 kg / 400 for 150 kg	
Compensated temperature range	°C	-10...+40	
Operating temperature range	°C	-40...+80 (ATEX -40...+60)	
Load cell material		stainless steel 17-4 PH (1.4548)	
Sealing		complete hermetic sealing; cable entry sealed by a glass to metal header	
Protection according EN 60 529		IP68 (up to 2 m water depth) / IP69K	
Packet weight	kg	1.8 (20kg), 2.0 (150kg)	

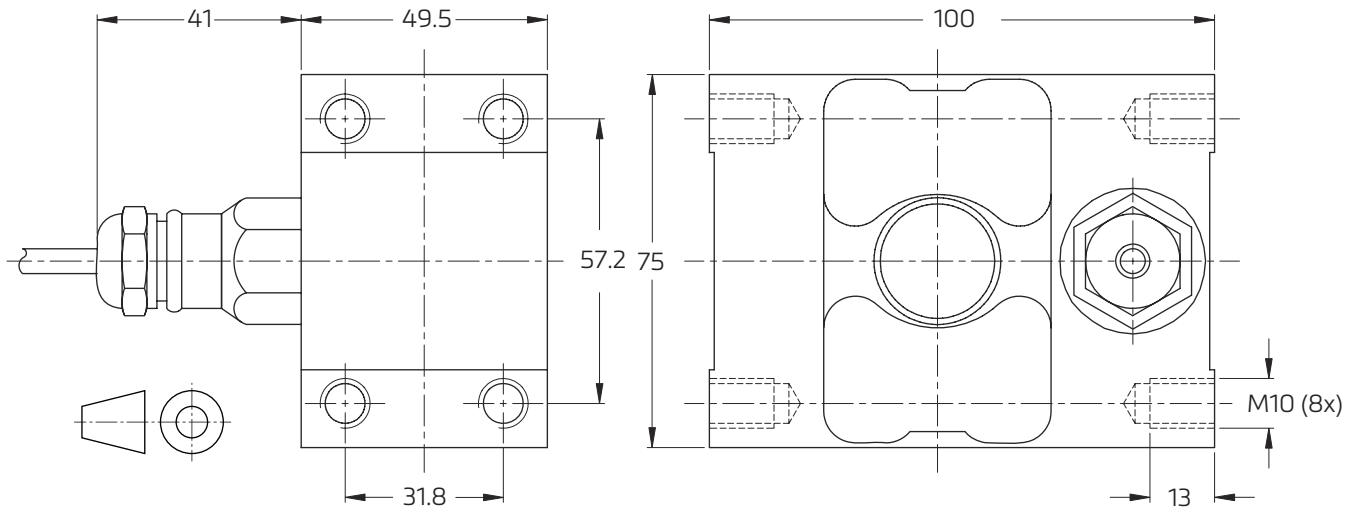
* corresponds to C3 quality, test certificate not available

The limits for Non-Linearity, Hysteresis, and TC_{RO} are typical values.

The sum of Non-linearity, Hysteresis and TC_{RO} meets the requirements according to OIML R60 with pLC=0.7.



product dimensions (mm)



Mounting bolts M10 8.8; torque 50 Nm. Torque value assumes oiled threads.

wiring

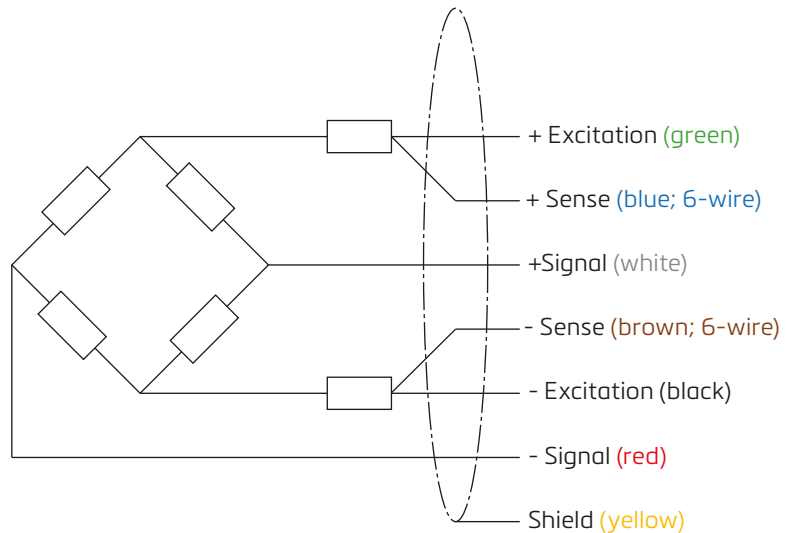
The load cell is provided with a shielded, 6 conductor cable (AWG 26) or with a shielded, 4 conductor cable (AWG 24).

Cable jacket: polyurethane

Cable length: 3 m

Cable diameter: 5 mm

The shield is floating or connected to the load cell body



Specifications and dimensions are subject to change without notice.