

# SAFETY UNITS AND INTERFACES

SE-SR2 is a safety unit that can be used in combination with every DATALOGIC Safety Light Curtains.

It provides dual-channel operation without detection of shorts across contacts.

Short circuits and earth faults in the pushbutton circuit are detected.

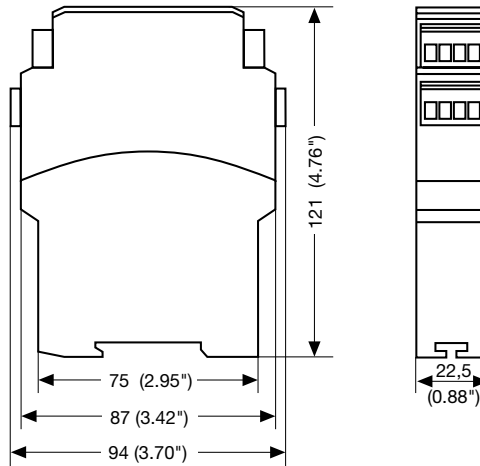
CS-ME is an interface with two forcibly guided relays, providing 3 NO contacts. The diagnostic function must be performed by the Safety Light Curtains through External Device Monitoring function.



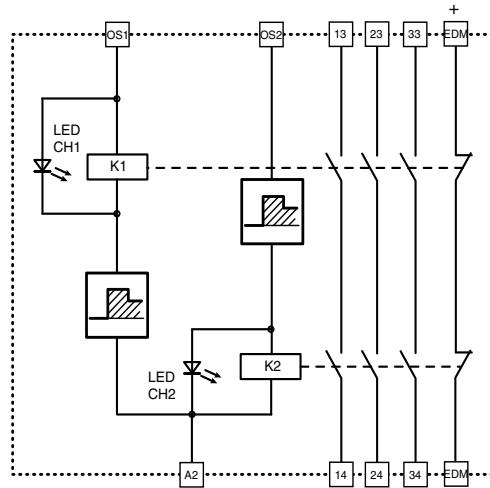
	SE-SR2	CS-ME
<b>GENERAL DATA</b>		
PL (EN ISO 13849-1)	e	up to e (depending on ESPE)
SIL (IEC 61508)	3	up to 3 (depending on ESPE)
<b>ELECTRICAL DATA</b>		
Power supply	24 Vdc -15/+10%	24 Vdc -/+20%
Outputs		
Safe outputs (Cat. 4)	3 NO	3 NO
Auxiliary outputs	1 NC	1 NC
Response time		
Following input going OFF	typ. 10 ms, max. 20 ms	20 ms
With power failure	typ. 70 ms, max. 120 ms	20 ms
Recovery time		
Following inputs going ON	50 ms	40 ms
After power on	150 ms	40 ms
<b>MECHANICAL AND ENVIRONMENTAL DATA</b>		
Operating temperature	-10 ... +55°C	-25 ... +55°C
Humidity	15 ... 95 % (no condensation)	15 ... 95 % (no condensation)
Mechanical protection	IP20	IP20
<b>FUNCTIONS</b>		
Reset modes	Automatic/Manual/Monitored	Automatic
External Device Monitoring	Available on SE-SR2	Must be activated on Safety Light Curtain (ESPE)
<b>COMPATIBILITY</b>		
	All DATALOGIC Safety Light Curtains	All DATALOGIC Safety Light Curtains with EDM function:  SG2 EXTENDED SG2 MUTING SG2 BASE, SG4 BASE SG BODY COMPACT SG BODY BIG SG BODY REFLECTOR SG BODY COMPACT SG4 EXTENDED SLIM

# ACCESSORIES | SAFETY UNITS AND INTERFACES

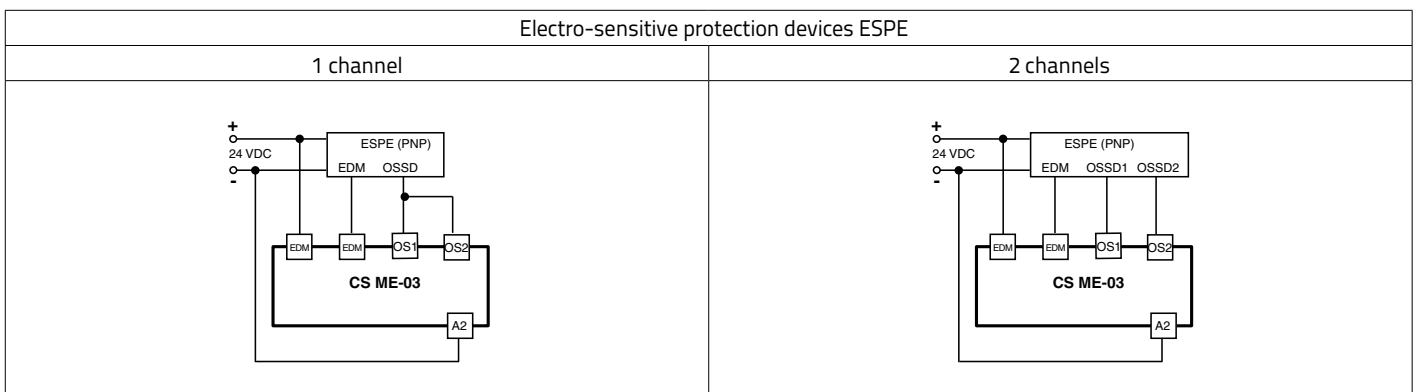
## SE-SR2 DIMENSIONS



## CS-ME INTERNAL DIAGRAM



## CS-ME WIRING DIAGRAM



MODEL	DESCRIPTION	ORDER NUMBER
SE-SR2	Safety Unit	95ACC6170
CSME-03VU24-Y14	Forcibly guided relay interface	95ASE1270

## Connection Boxes

SG-SRT1 and SG-SRT2 are interfaces provided with redundant forcibly guided relays, supplying a ready operator interface to restart or override the Safety Light Curtain, and have muting indication.



**SG-SRT-1**



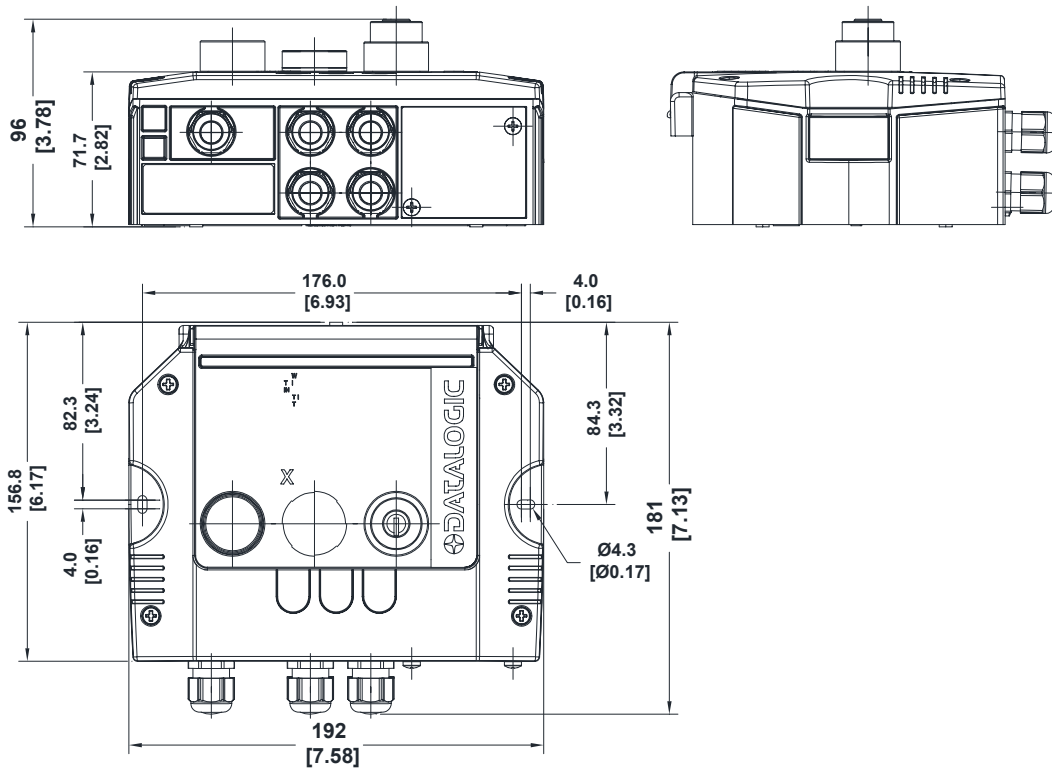
**SG-SRT-2**



	SG-SRT1	SG-SRT2
<b>ELECTRICAL DATA</b>		
Power supply	24 Vdc +/- 20%	
Safe outputs	2 NO	
Max. switchable voltage	250 Vac	
Max. switchable current	2 A	
<b>FUNCTIONS</b>		
Reset mode	Automatic/Manual	
	Test	
	Reset	
	Restart	
	Override	
	---	Muting state indication
<b>COMPATIBILITY</b>		
	SG BODY COMPACT MUTING SG BODY BIG MUTING SG BODY REFLECTOR MUTING	SG BODY BIG MUTING SG BODY REFLECTOR MUTING

**NOTE**

SG-SRT1 and SG-SRT2 provide internal or external EDM signal to the Safety Light Curtain: to operate safely, EDM monitoring function must be activated on the Safety Light Curtain and correct wiring must be followed.  
For further information refer to SG-SRT1/2 manual and the used Safety Light Curtain manual.



MODEL	DESCRIPTION	ORDER NUMBER
SG -SRT-1	Muting connection box	95ASE2050
SG -SRT-2	Muting connection box with lamp	95ASE2060